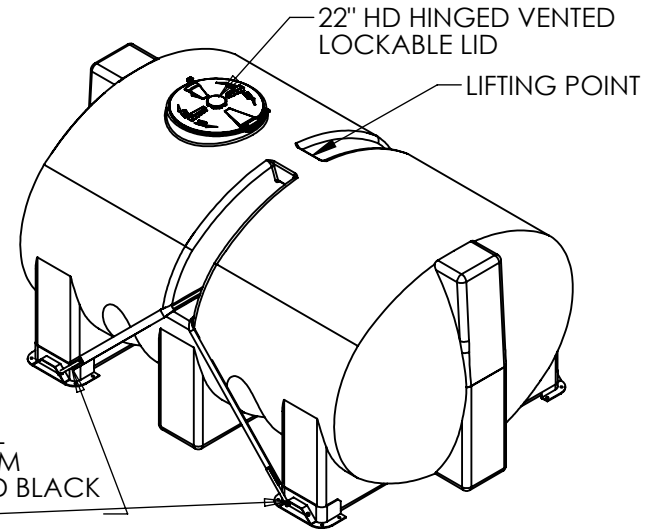


TOP VIEW

NOTES (APPROX):

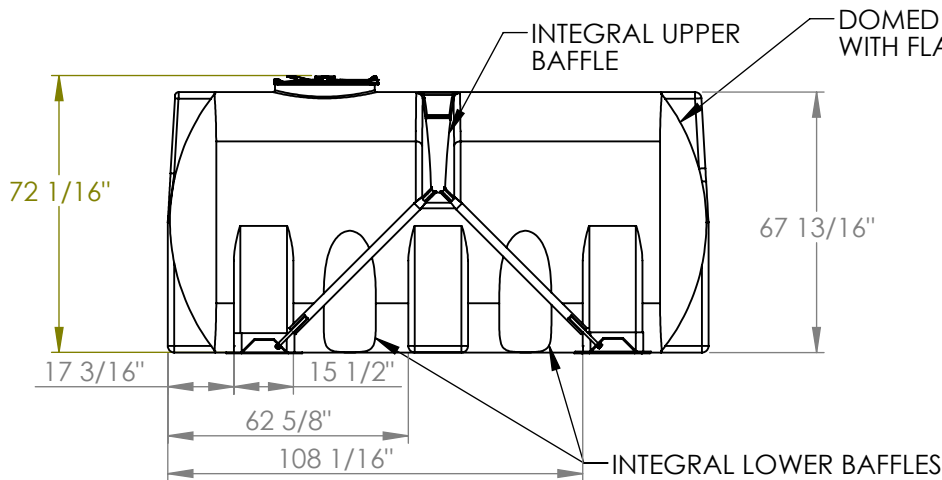
WALL THICKNESS: .75"

CAPACITY:
2150 IMP. GAL
2600 US GAL
9842 LITRES

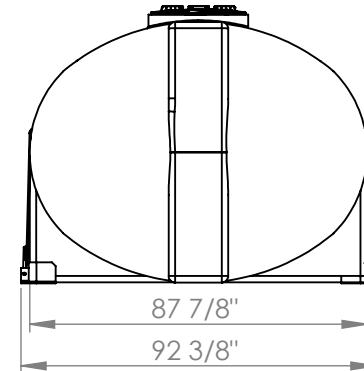


ISOMETRIC VIEWS

ADJUSTABLE STEEL
MOUNTING SYSTEM
POWDER COATED BLACK
PART #60166-1



FRONT VIEW



SIDE VIEW

Copyright © 2008 Quality Molded Plastics LTD.

PROPRIETARY AND CONFIDENTIAL
THE INFORMATION CONTAINED IN THIS DRAWING IS THE SOLE PROPERTY OF QUALITY MOLDED PLASTICS LTD. ANY REPRODUCTION IN PART OR AS A WHOLE WITHOUT THE WRITTEN PERMISSION OF QUALITY MOLDED PLASTICS LTD. IS PROHIBITED.

CLIENT NAME:
QMP

MATERIAL:
8660 HDPE

DATE:
MAR/26/2012

DRAWN BY:
S.APPLETON

DESCRIPTION:
2600 US GAL TRANSPORTATION TANK

REV
Y

DO NOT SCALE DRAWING

UNLESS OTHERWISE SPECIFIED:

--- TOLERANCES ---
LENGTH DIMENSION: ± 1%
ANGULAR: ± 1.0°

DIMENSIONS
ARE IN INCHES



QUALITY MOLDED PLASTICS LTD.
Site 412, P.O. Box 280, R.R.#4
SASKATOON, SK S7K 3J7

SCALE: 1:50
SHEET 1 OF 1

PART NO.
60153-3