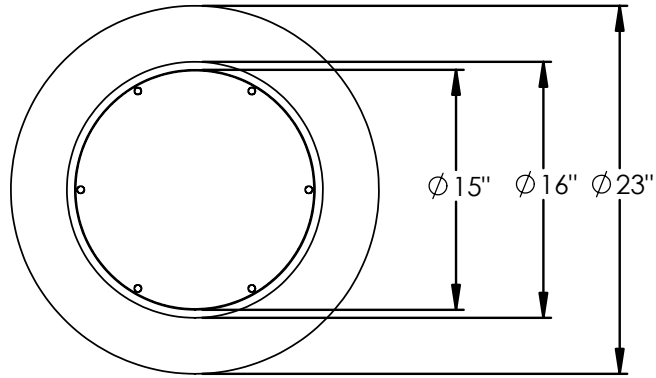
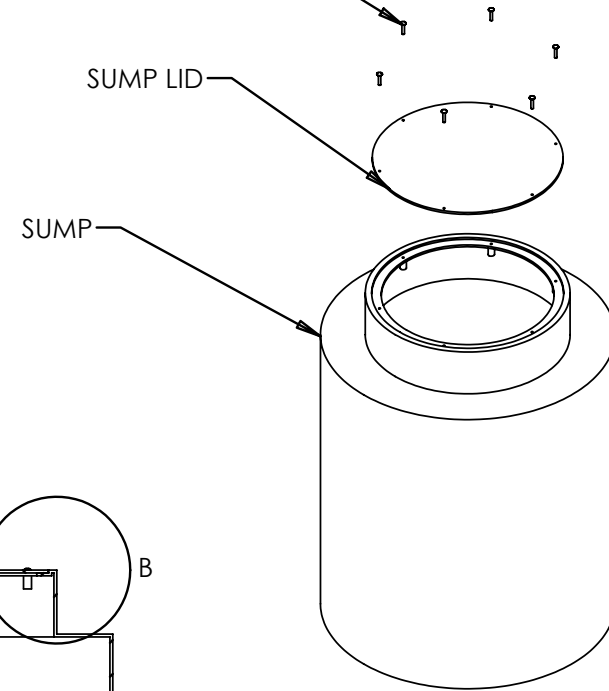


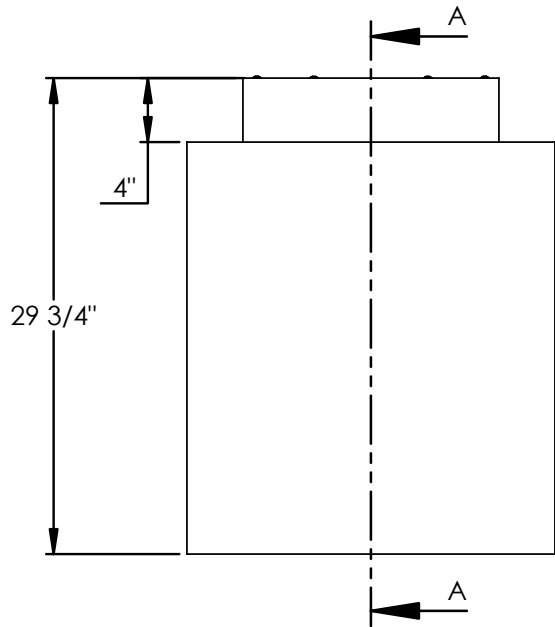
#10 x 3/4" SS TRUSS HEAD SCREWS (6)



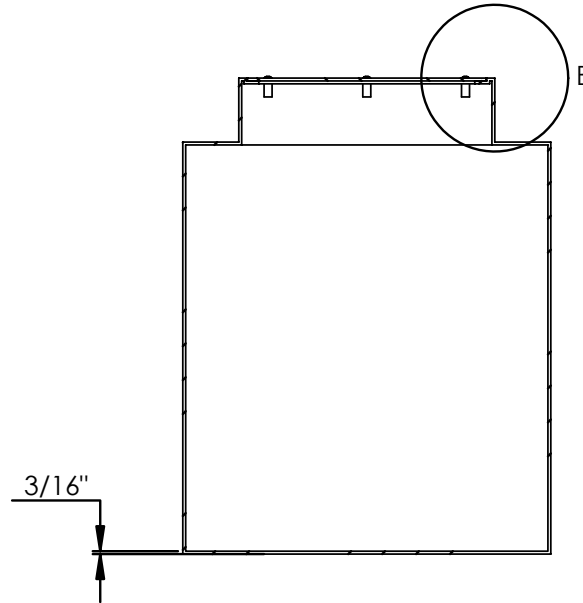
TOP VIEW



ISOMETRIC VIEWS

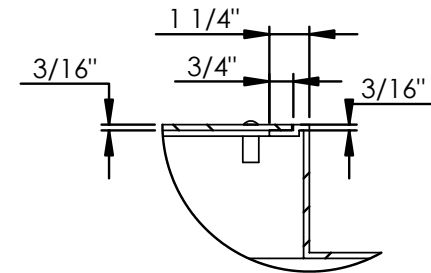


FRONT VIEW



SECTION A-A
SCALE 1 : 12

SIDE VIEW



DETAIL B
SCALE 1 : 6

Copyright © 2008 Quality Molded Plastics LTD.

<p>PROPRIETARY AND CONFIDENTIAL</p> <p>THE INFORMATION CONTAINED IN THIS DRAWING IS THE SOLE PROPERTY OF QUALITY MOLDED PLASTICS LTD. ANY REPRODUCTION IN PART OR AS A WHOLE WITHOUT THE WRITTEN PERMISSION OF QUALITY MOLDED PLASTICS LTD. IS PROHIBITED.</p>	<p>CLIENT NAME: QMP</p>	<p>MATERIAL: LLDPE</p>	<p>DATE: APRIL/21/2011</p>	<p>DRAWN BY: S. APPLETON</p>	<p>DESCRIPTION: SUMP PIT</p>	<p>REV Y</p>
	<p>APPROXIMATE WEIGHT (lb): 17.26</p>	<p>DO NOT SCALE DRAWING</p>				
	<p>UNLESS OTHERWISE SPECIFIED:</p>					
	<p>--- TOLERANCES --- LENGTH DIMENSION: ± 1% ANGULAR: ± 1.0°</p>	<p>DIMENSIONS ARE IN INCHES</p>	<p>QMP QUALITY MOLDED PLASTICS LTD. Site 412, P.O. Box 280, R.R.#4 SASKATOON, SK S7K 3J7</p>		<p>SCALE: 1:20 SHEET 1 OF 1</p>	<p>PART NO. 60162-1</p>