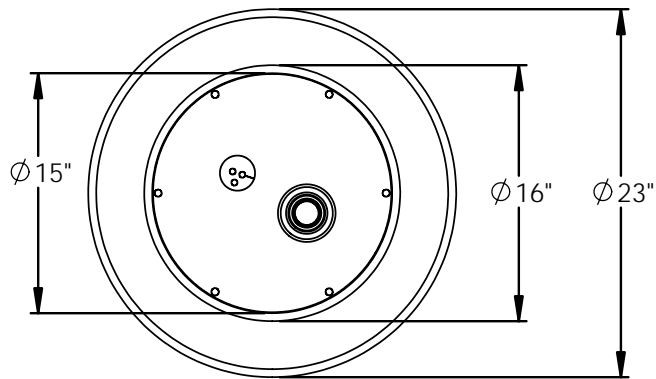
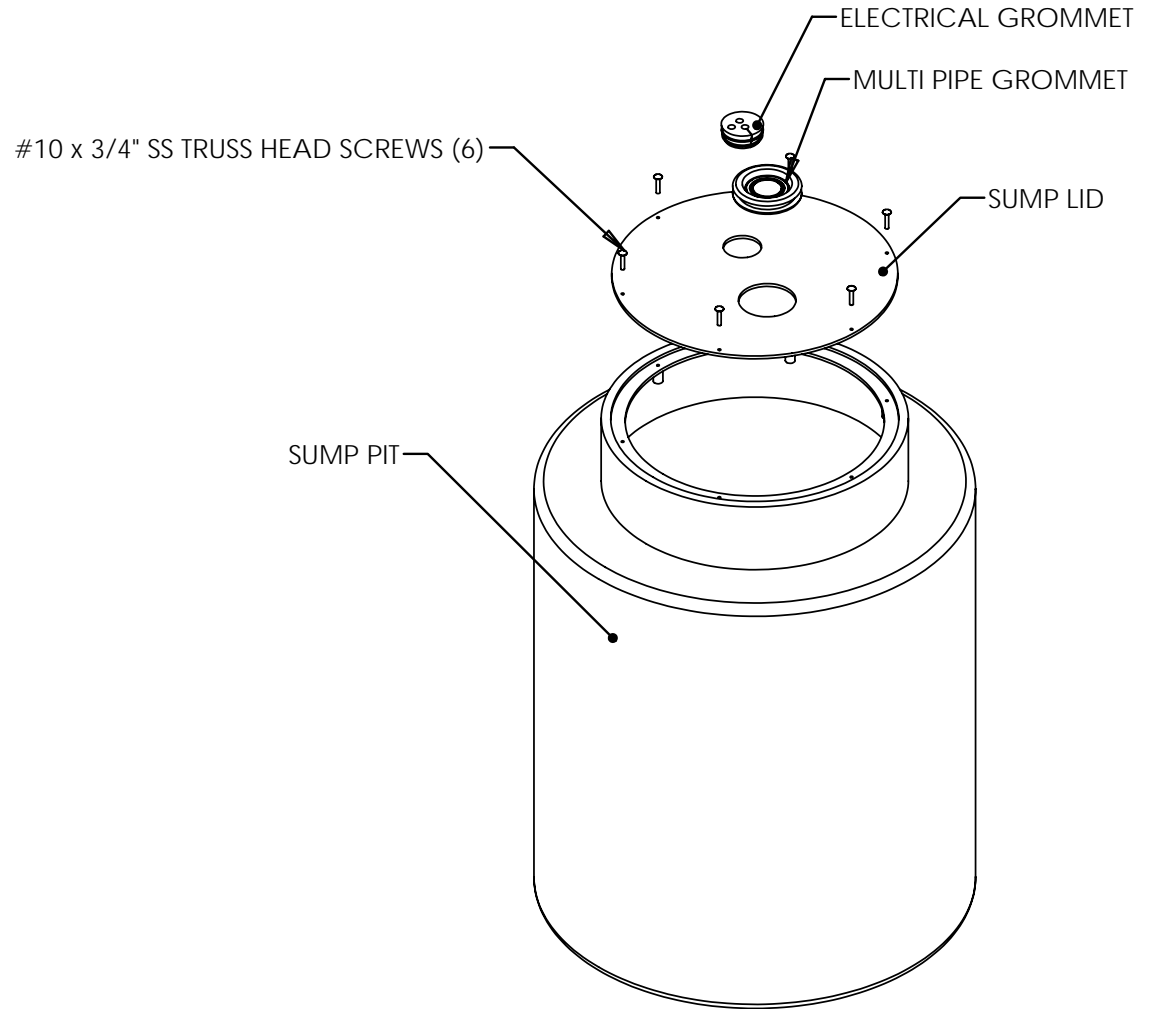


TOP VIEW




FRONT VIEW



ISOMETRIC VIEWS

Copyright © 2008 Quality Molded Plastics LTD.

PROPRIETARY AND CONFIDENTIAL THE INFORMATION CONTAINED IN THIS DRAWING IS THE SOLE PROPERTY OF QUALITY MOLDED PLASTICS LTD. ANY REPRODUCTION IN PART OR AS A WHOLE WITHOUT THE WRITTEN PERMISSION OF QUALITY MOLDED PLASTICS LTD. IS PROHIBITED.	CLIENT NAME: QMP	MATERIAL: LLDPE	DATE: APRIL/21/2011	DRAWN BY: S. APPLETON	DESCRIPTION: SUMP PIT WITH GROMMETS	REV Y
	APPROXIMATE WEIGHT (lb): 17.16	DO NOT SCALE DRAWING				
	UNLESS OTHERWISE SPECIFIED:					
	--- TOLERANCES --- LENGTH DIMENSION: ± 1% ANGULAR: ± 1.0°	DIMENSIONS ARE IN INCHES			QUALITY MOLDED PLASTICS LTD. Site 412, P.O. Box 280, R.R.#4 SASKATOON, SK S7K 3J7	SCALE: 1:20 SHEET 1 OF 1