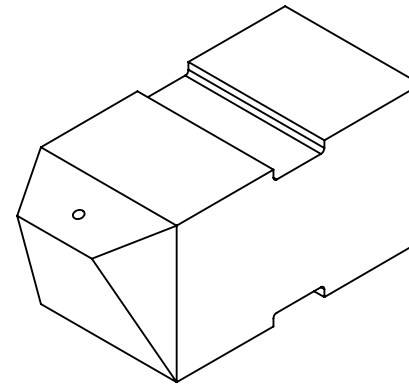
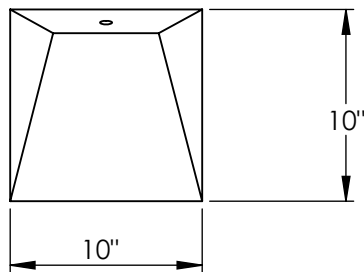


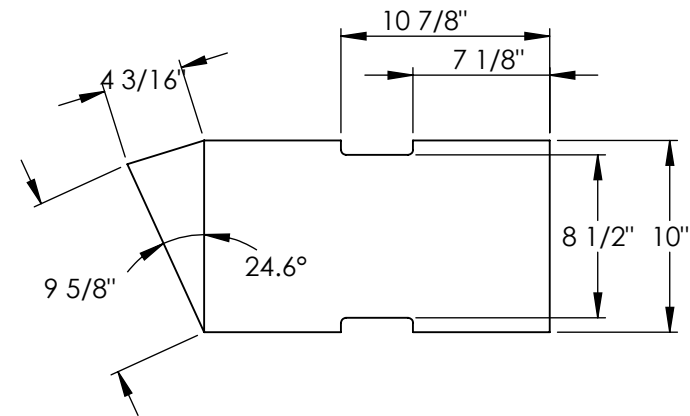
TOP VIEW



ISOMETRIC VIEWS




FRONT VIEW



SIDE VIEW

Copyright © 2008 Quality Molded Plastics LTD.

PROPRIETARY AND CONFIDENTIAL THE INFORMATION CONTAINED IN THIS DRAWING IS THE SOLE PROPERTY OF QUALITY MOLDED PLASTICS LTD. ANY REPRODUCTION IN PART OR AS A WHOLE WITHOUT THE WRITTEN PERMISSION OF QUALITY MOLDED PLASTICS LTD. IS PROHIBITED.	CLIENT NAME: Q.M.P. APPROXIMATE WEIGHT (lb): 8	MATERIAL: LLDPE	DATE: JUNE/29/2012	DRAWN BY: S. APPLETON	DESCRIPTION: TANK, 5 GAL, DISPENSER, LIQ	REV Y
	UNLESS OTHERWISE SPECIFIED: --- TOLERANCES --- LENGTH DIMENSION: $\pm \sqrt{-1\%}$ DIMENSIONS ARE IN INCHES ANGULAR: $\pm 1.0^\circ$	DO NOT SCALE DRAWING			SCALE: 1:10 SHEET 1 OF 1	PART NO. 60164-1
	 QUALITY MOLDED PLASTICS LTD. Site 412, P.O. Box 280, R.R.#4 SASKATOON, SK S7K 3J7					