

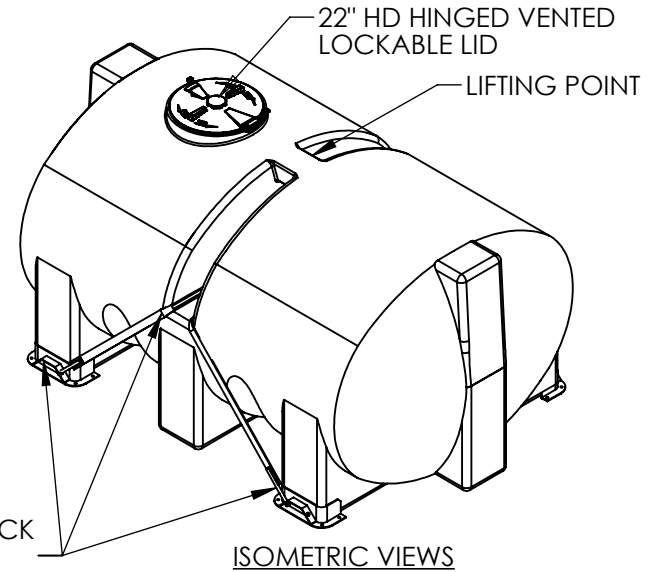
TOP VIEW

**NOTES (APPROX):**

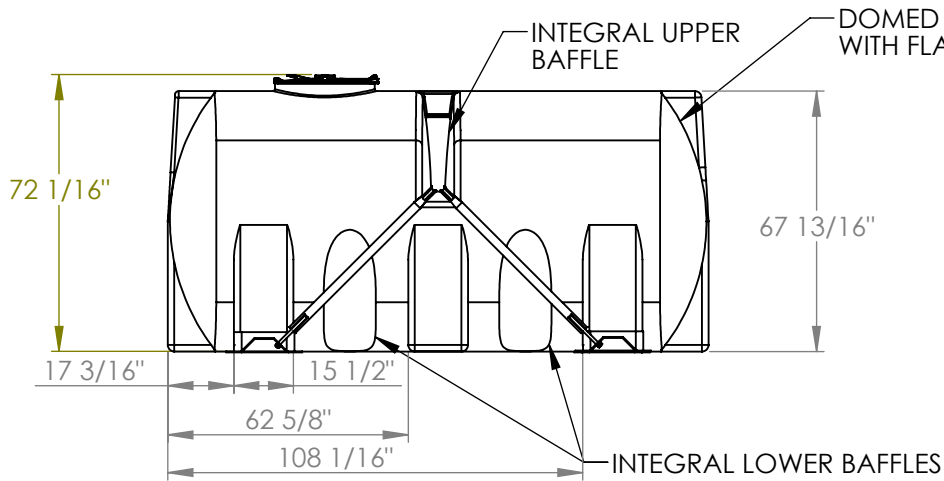
WALL THICKNESS: 1"

CAPACITY:  
2150 IMP. GAL  
2600 US GAL  
9842 LITRES

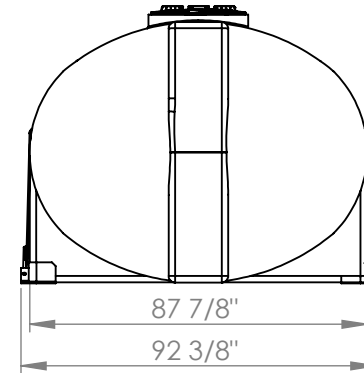
ADJUSTABLE STEEL  
MOUNTING SYSTEM  
POWDER COATED BLACK  
PART #60166-1



ISOMETRIC VIEWS




FRONT VIEW



SIDE VIEW

Copyright © 2008 Quality Molded Plastics LTD.

<b>PROPRIETARY AND CONFIDENTIAL</b> THE INFORMATION CONTAINED IN THIS DRAWING IS THE SOLE PROPERTY OF QUALITY MOLDED PLASTICS LTD. ANY REPRODUCTION IN PART OR AS A WHOLE WITHOUT THE WRITTEN PERMISSION OF QUALITY MOLDED PLASTICS LTD. IS PROHIBITED.	CLIENT NAME: <b>QMP</b>	MATERIAL: 8660 HDPE	DATE: MAR/26/2012	DRAWN BY: S.APPLETON	DESCRIPTION: <b>2600 US GAL TRANSPORTATION TANK</b>	REV <b>Y</b>
	DO NOT SCALE DRAWING					
	<b>UNLESS OTHERWISE SPECIFIED:</b>		 <b>QUALITY MOLDED PLASTICS LTD.</b> Site 412, P.O. Box 280, R.R.#4 SASKATOON, SK S7K 3J7		SCALE: 1:50	PART NO.
	--- TOLERANCES --- LENGTH DIMENSION: ± 1% ANGULAR: ± 1.0°	DIMENSIONS ARE IN INCHES			SHEET 1 OF 1	<b>60165-3</b>