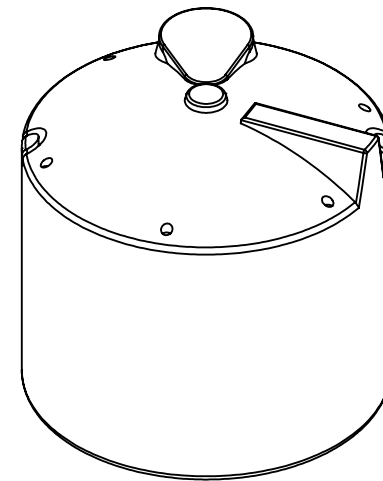
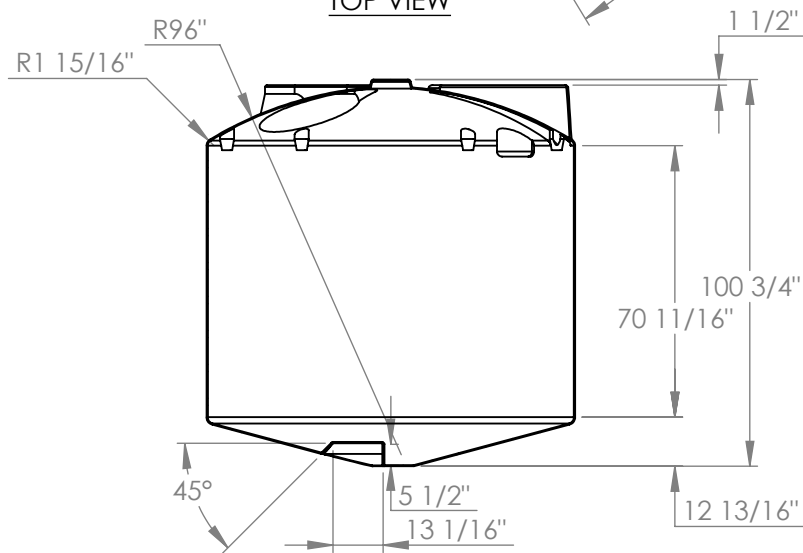


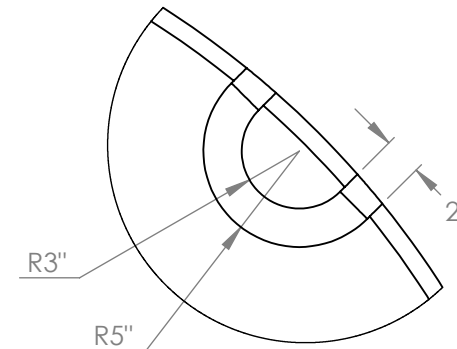
TOP VIEW



ISOMETRIC VIEWS



SECTION A-A



DETAIL H
SCALE 1 : 10

Copyright © 2008 Quality Molded Plastics LTD.

PROPRIETARY AND CONFIDENTIAL
THE INFORMATION CONTAINED IN THIS DRAWING IS THE SOLE PROPERTY OF QUALITY MOLDED PLASTICS LTD. ANY REPRODUCTION IN PART OR AS A WHOLE WITHOUT THE WRITTEN PERMISSION OF QUALITY MOLDED PLASTICS LTD. IS PROHIBITED.

CLIENT NAME:
QMP
APPROXIMATE WEIGHT (lb): 430

MATERIAL:
LLDPE

DATE:
NOV 28, 2013

DRAWN BY:
S. APPLETON

DESCRIPTION:
TANK, 2150 GAL, 15 DEG, CB

REV
Y

DO NOT SCALE DRAWING

UNLESS OTHERWISE SPECIFIED:
--- TOLERANCES ---
LENGTH DIMENSION: ± 1%
ANGULAR: ± 1.0°
DIMENSIONS ARE IN INCHES



QUALITY MOLDED PLASTICS LTD.
Site 412, P.O. Box 280, R.R.#4
SASKATOON, SK S7K 3J7

SCALE: 1:50
SHEET 1 OF 1

PART NO.
60167-1