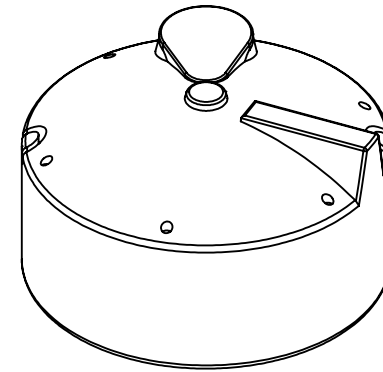
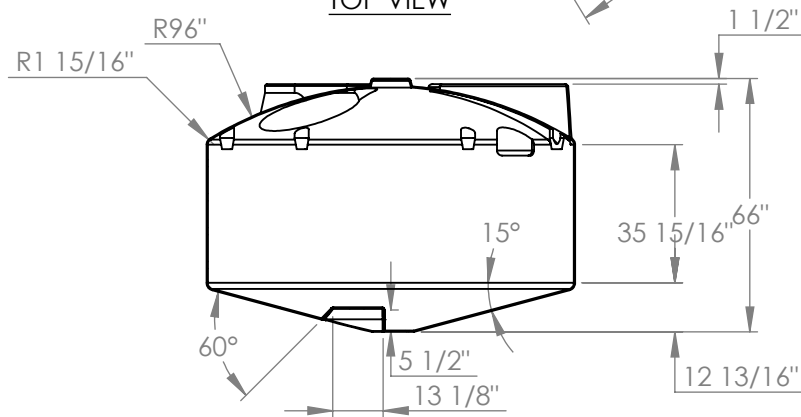


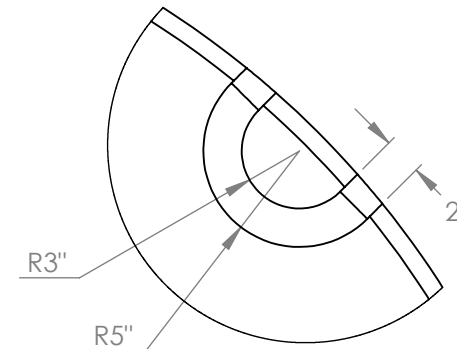
TOP VIEW



ISOMETRIC VIEWS



SECTION A-A



DETAIL H
SCALE 1 : 10

Copyright © 2008 Quality Molded Plastics LTD.

PROPRIETARY AND CONFIDENTIAL THE INFORMATION CONTAINED IN THIS DRAWING IS THE SOLE PROPERTY OF QUALITY MOLDED PLASTICS LTD. ANY REPRODUCTION IN PART OR AS A WHOLE WITHOUT THE WRITTEN PERMISSION OF QUALITY MOLDED PLASTICS LTD. IS PROHIBITED.	CLIENT NAME: QMP	MATERIAL: LLDPE	DATE: NOV 28, 2013	DRAWN BY: S. APPLETON	DESCRIPTION: TANK, 1300 GAL, 15 DEG, CB	REV Y	
	APPROXIMATE WEIGHT (lb): UNLESS OTHERWISE SPECIFIED:	DO NOT SCALE DRAWING					
	--- TOLERANCES --- LENGTH DIMENSION: ± 1% ANGULAR: ± 1.0°	DIMENSIONS ARE IN INCHES			QUALITY MOLDED PLASTICS LTD. Site 412, P.O. Box 280, R.R.#4 SASKATOON, SK S7K 3J7	SCALE: 1:50 SHEET 1 OF 1	PART NO. 60168-1