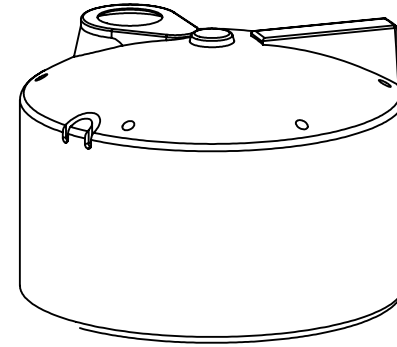
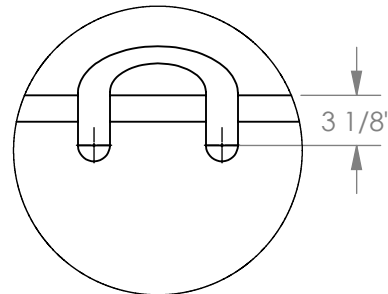


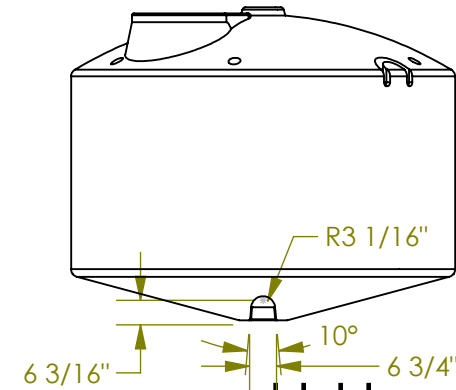
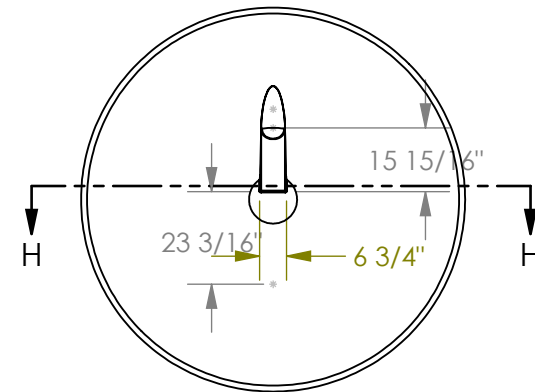
DETAIL A
SCALE 1 : 12



ISOMETRIC VIEW

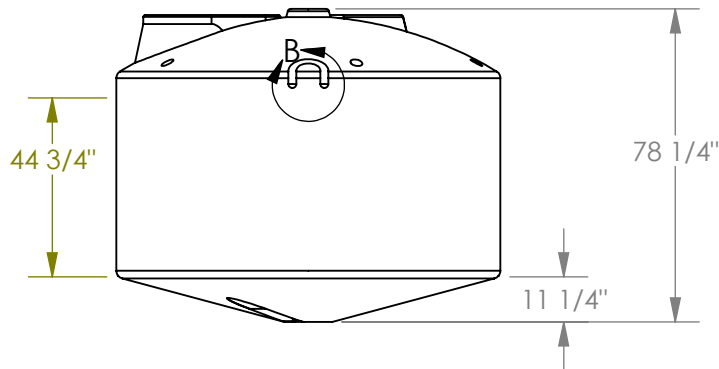


DETAIL B
SCALE 1 : 12



SECTION H-H

Copyright © 2006 Quality Molded Plastics LTD.



FRONT VIEW

PROPRIETARY AND CONFIDENTIAL
THE INFORMATION CONTAINED IN THIS DRAWING IS THE SOLE PROPERTY OF QUALITY MOLDED PLASTICS LTD. ANY REPRODUCTION IN PART OR AS A WHOLE WITHOUT THE WRITTEN PERMISSION OF QUALITY MOLDED PLASTICS LTD. IS PROHIBITED.

CLIENT NAME:
Quality Molded Plastics

CLIENT PART #:

UNLESS OTHERWISE SPECIFIED:

TOLERANCES:
LENGTH DIMENSION: ± 1%
ANGULAR: ± 1.0°

DIMENSIONS ARE
IN INCHES

MATERIAL:
PE Low/Medium Density

DATE:
JAN/12/2012

DRAWN BY:
S.APPLETON

DESCRIPTION:

TANK, 1600 GAL, 15 DEG, CB

REV
1

DO NOT SCALE DRAWING



QUALITY MOLDED PLASTICS LTD.
Site 412, P.O. Box 280, R.R.#4
SASKATOON, SK S7K 3J7

SCALE: 1:48
SHEET 1 OF 1

PART NO.
60169-1