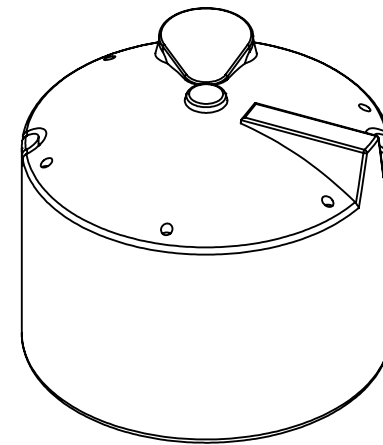
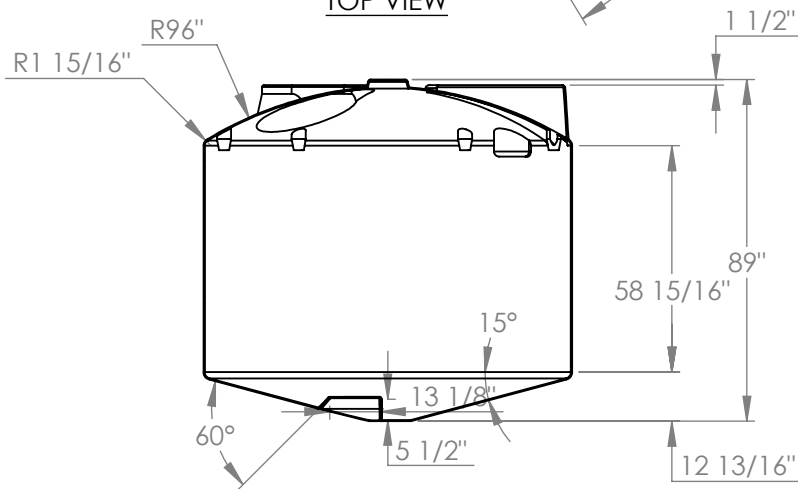


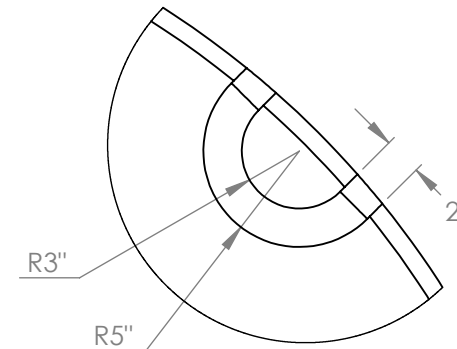
TOP VIEW



ISOMETRIC VIEWS



SECTION A-A



DETAIL H
SCALE 1 : 10

Copyright © 2008 Quality Molded Plastics LTD.

PROPRIETARY AND CONFIDENTIAL
THE INFORMATION CONTAINED IN THIS DRAWING IS THE SOLE PROPERTY OF QUALITY MOLDED PLASTICS LTD. ANY REPRODUCTION IN PART OR AS A WHOLE WITHOUT THE WRITTEN PERMISSION OF QUALITY MOLDED PLASTICS LTD. IS PROHIBITED.

CLIENT NAME:
QMP
APPROXIMATE WEIGHT (lb):
UNLESS OTHERWISE SPECIFIED:
--- TOLERANCES ---
LENGTH DIMENSION: ± 1%
ANGULAR: ± 1.0°
DIMENSIONS ARE IN INCHES

MATERIAL:
LLDPE
DATE:
NOV 28, 2013
DRAWN BY:
S. APPLETON
QMP QUALITY MOLDED PLASTICS LTD.
Site 412, P.O. Box 280, R.R.#4
SASKATOON, SK S7K 3J7

DESCRIPTION:
TANK, 1850 GAL, 15 DEG, CB
SCALE: 1:50
SHEET 1 OF 1
PART NO.
60170-1

REV
Y

DO NOT SCALE DRAWING