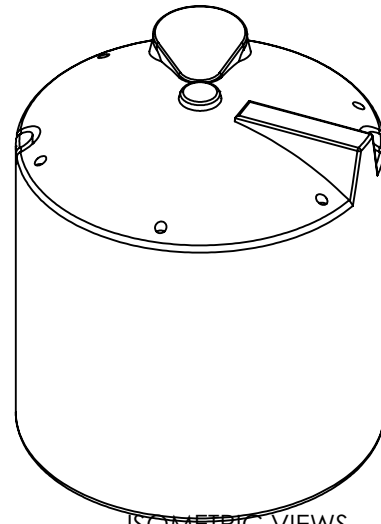
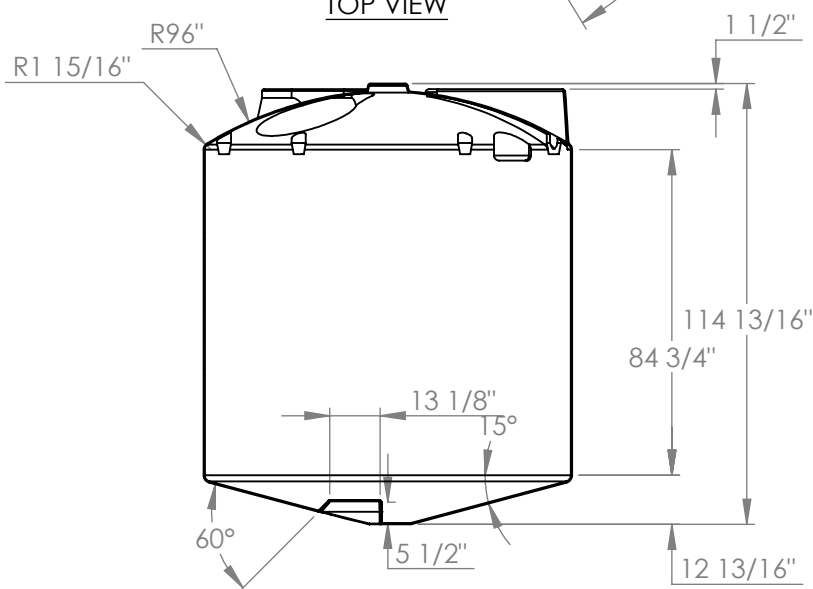


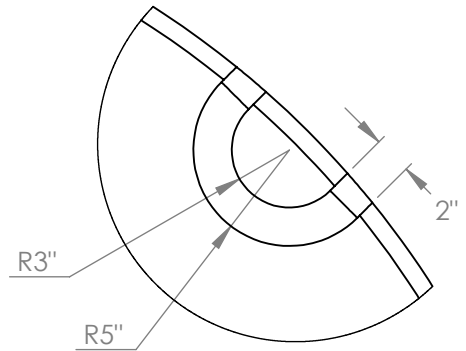
TOP VIEW



ISOMETRIC VIEWS




SECTION A-A



DETAIL H
SCALE 1 : 10

Copyright © 2008 Quality Molded Plastics LTD.

| | | | | | | |
|--|---|--------------------------|---|--------------------------|---|-----------------|
| PROPRIETARY AND CONFIDENTIAL THE INFORMATION CONTAINED IN THIS DRAWING IS THE SOLE PROPERTY OF QUALITY MOLDED PLASTICS LTD. ANY REPRODUCTION IN PART OR AS A WHOLE WITHOUT THE WRITTEN PERMISSION OF QUALITY MOLDED PLASTICS LTD. IS PROHIBITED. | CLIENT NAME: QMP | MATERIAL: LLDPE | DATE: NOV 28, 2013 | DRAWN BY: S. APPLETON | DESCRIPTION: TANK, 2580 GAL, 15 DEG, CB | REV Y |
| | APPROXIMATE WEIGHT (lb): SECTION A-A | DO NOT SCALE DRAWING | | | SCALE: 1:50 | PART NO. |
| | UNLESS OTHERWISE SPECIFIED: --- TOLERANCES --- LENGTH DIMENSION: ± 1% ANGULAR: ± 1.0° | DIMENSIONS ARE IN INCHES |  QUALITY MOLDED PLASTICS LTD. Site 412, P.O. Box 280, R.R.#4 SASKATOON, SK S7K 3J7 | | SHEET 1 OF 1 | 60171-1 |