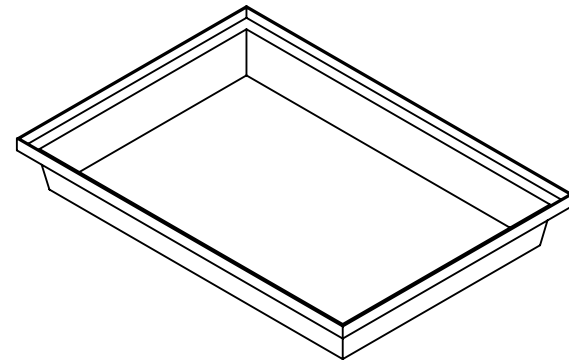
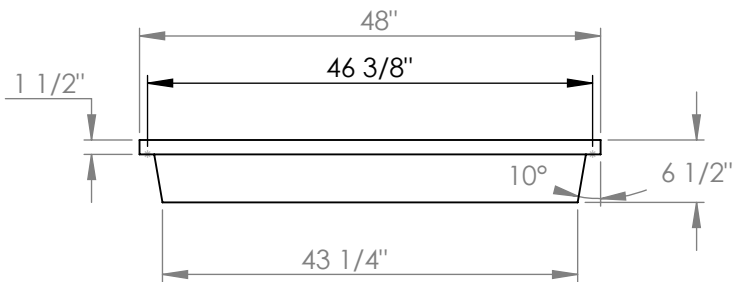


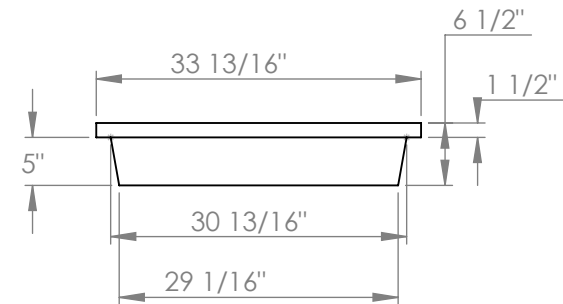
TOP VIEW



ISOMETRIC VIEWS




FRONT VIEW



SIDE VIEW

Copyright © 2008 Quality Molded Plastics LTD.

<b>PROPRIETARY AND CONFIDENTIAL</b> THE INFORMATION CONTAINED IN THIS DRAWING IS THE SOLE PROPERTY OF QUALITY MOLDED PLASTICS LTD. ANY REPRODUCTION IN PART OR AS A WHOLE WITHOUT THE WRITTEN PERMISSION OF QUALITY MOLDED PLASTICS LTD. IS PROHIBITED.	CLIENT NAME: <b>QMP</b>	MATERIAL: LLDPE	DATE: JUNE 16, 2015	DRAWN BY: S.APPLETON	DESCRIPTION: <b>30" x 60" x 6 1/2" SPILL TRAY</b>	REV <b>Y</b>
	APPROXIMATE WEIGHT (lb): 24	DO NOT SCALE DRAWING				
	<b>UNLESS OTHERWISE SPECIFIED:</b> --- TOLERANCES --- LENGTH DIMENSION: ± 1% ANGULAR: ± 1.0°	DIMENSIONS ARE IN INCHES			QUALITY MOLDED PLASTICS LTD. Site 412, P.O. Box 280, R.R.#4 SASKATOON, SK S7K 3J7	SCALE: 1:20 SHEET 1 OF 1