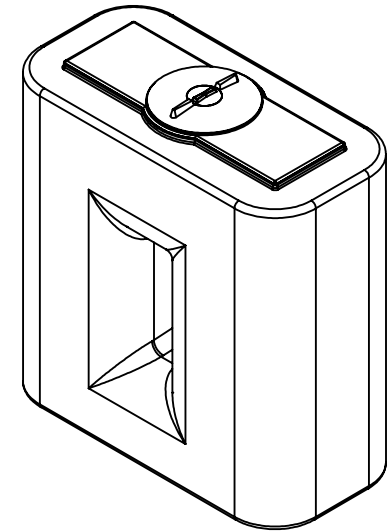
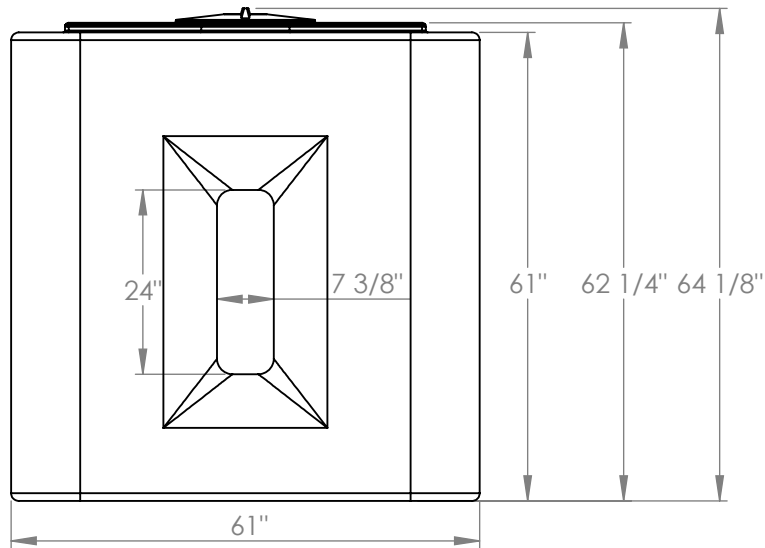


TOP VIEW

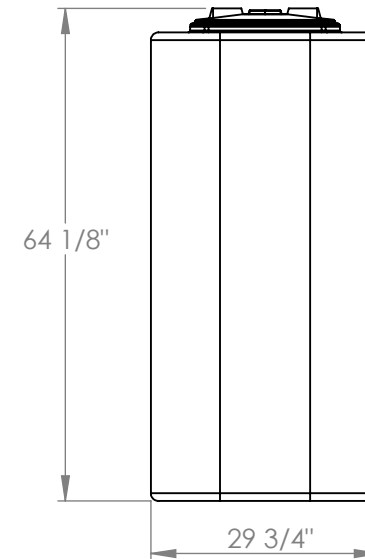


ISOMETRIC VIEWS

NOTES (APPROX):
 WALL THICKNESS: 5/16"
 CAPACITY:
 350 IMP GAL
 420 U.S. GAL
 1590 LITRES



FRONT VIEW



SIDE VIEW

Copyright © 2008 Quality Molded Plastics LTD.

PROPRIETARY AND CONFIDENTIAL
 THE INFORMATION CONTAINED IN THIS DRAWING IS THE SOLE PROPERTY OF QUALITY MOLDED PLASTICS LTD. ANY REPRODUCTION IN PART OR AS A WHOLE WITHOUT THE WRITTEN PERMISSION OF QUALITY MOLDED PLASTICS LTD. IS PROHIBITED.

CLIENT NAME:
Q.M.P.
 APPROXIMATE WEIGHT (lb): 150
UNLESS OTHERWISE SPECIFIED:
 --- TOLERANCES ---
 LENGTH DIMENSION: ± 1%
 ANGULAR: ± 1.0°
 DIMENSIONS ARE IN INCHES

MATERIAL:
 LLDPE
 DATE:
 DEC/06/2019
 DRAWN BY:
 S.APPLETON
QMP QUALITY MOLDED PLASTICS LTD.
 Site 412, P.O. Box 280, R.R.#4
 SASKATOON, SK S7K 3J7

DESCRIPTION:
TANK, 420 US GAL, RECTANGULAR
 REV **0**
 SCALE: 1:25
 SHEET 1 OF 1
 PART NO.
60179-1

DO NOT SCALE DRAWING